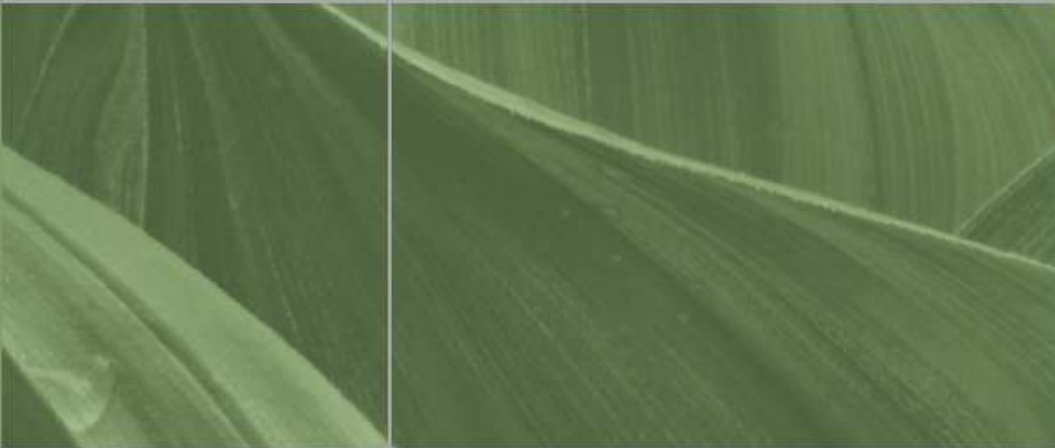




J L Business Interiors, Inc.
Evolve Furniture



ENVIRONMENTAL SPECIFICATIONS



evolve



FURNITURE FOR A SUSTAINABLE WORLD

THE EVOLVE
PANEL SYSTEM IS
MADE FROM 82%
RECYCLED CONTENT

The nearest competitor is only at 29%

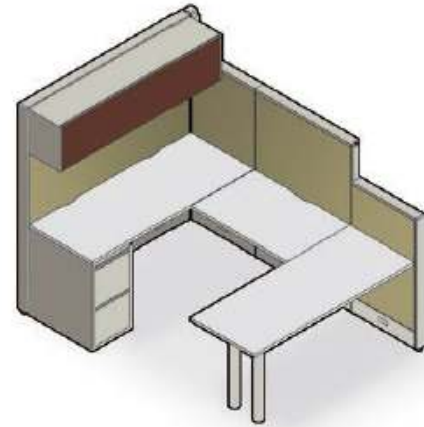
WELCOME TO EVOLVE



Product: Evolve Typical Open Plan Panel-Based Workstation (BIFMA M7.1)

Manufacturer: Evolve Furniture Group

Dealer: J L Business Interiors, Inc.
515 Schoenhaar Drive
P.O. Box 303
West Bend, WI 53095
www.jlbusinessinteriors.com



MATERIAL DESCRIPTION

MATERIAL	PRODUCT		RECYCLED CONTENT (%)						END OF LIFE - RECYCLABILITY
	LBS.	% BY WEIGHT	TOTAL RECYCLED		PRE-CONSUMER		POST-CONSUMER		
			LBS.	%	LBS.	%	LBS.	%	
STEEL	298.6	53%	89.6	30%	15.2	17%	74.4	83%	100%
PARTICLEBOARD	103.4	18%	103.4	100%	103.4	100%	0	0%	100%
LOW PRESSURE LAMINATE	71.7	13%	71.7	100%	68.8	96%	2.9	4%	100%
PLASTIC (PLASTIC OTHER)	35.9	6%	1.8	5%	1.8	100%	0	0%	100%
PLASTIC (PLASTIC INTERIOR)	25.1	5%	25.1	100%	25.1	100%	0	0%	100%
MINERAL WOOL INSULATION	6.6	1%	2.5	38%	2.5	100%	0	0%	RETURN TO EVOLVE
HONEYCOMB	6.2	1%	6.2	100%	1.7	28%	4.5	72%	100%
HIGH PRESSURE LAMINATE	5.6	1%	1.2	22%	1.2	100%	0	0%	100%
BACKING	5.6	1%	1.1	20%	1.1	100%	0	0%	100%
FABRIC	3.4	1%	3.4	100%	0	0%	3.4	100%	100%
TOTAL	562.1	100%	306	54%	220.8	72%	85.2	28%	100%

PACKAGING DESCRIPTION

MATERIAL	PRODUCT		RECYCLED CONTENT (%)						END OF LIFE - RECYCLABILITY
	LBS.	% BY WEIGHT	TOTAL RECYCLED		PRE-CONSUMER		POST-CONSUMER		
			LBS.	%	LBS.	%	LBS.	%	
PACKAGING - WOOD	54.0	75%	54.0	100%	54.0	100%	0	0%	100%
PACKAGING - CARDBOARD	16.5	23%	16.5	100%	4.1	25%	12.4	75%	100%
PACKAGING - SHRINK WRAP	0.8	1%	0	0%	0	0%	0	0%	100%
PACKAGING - PLASTIC BAG	1.1	1%	0.2	20%	0.2	100%	0	0%	100% BIODEGRADABLE & RECYCLABLE
TOTAL	72.4	100%	70.7	98%	58.3	82%	12.4	18%	100%

RECYCLED MATERIALS



ROXUL



BASALT ROCK



SLAG



YARN FROM RECYCLED POLYESTER



RECYCLED POLYESTER CHIPS



40% WOOD / 60% POLYPROPYLENE



RECYCLED WOOD CHIPS



RECYCLED POLYPROPYLENE

OTHER STANDARDS AND VOLUNTARY PROGRAMS

LEED Rating System (USGBC/CaGBC)	IEQ — Credit 4.5 Systems Furniture and Seating
Greenguard	Indoor Air Quality
BIFMA X7.1	Furniture Emissions Standard — Indoor Air Quality
EcoLogo Certification — CCD-033	Terrachoice Environmental Services (Environmentally Preferred Products)
SCS (Scientific Certification Systems)	Indoor Advantage Program
ISO 9001:2008	Quality Management System
ISO 14001:2004	Environmental Management System
OHSAS 18001:2007	Occupational Health and Safety Management System
Comments	Additional data and certificates are available upon request.

EVOLVE'S COMMITMENT

Mission Statement: Our mission is to develop and offer innovative quality and environmental solutions to value-oriented customers. Evolve accomplishes this by ensuring that our products help meet the sustainability challenge, while improving quality of life and protecting the environment.

Environmental Health and Safety Policy: Evolve acknowledges the need for the industry to be environmentally responsible for future generations as well as providing a work environment that is safe and healthy for all employees.

Social Responsibility: Evolve believes that we have a social responsibility to produce a good quality product without jeopardizing the environment or human health.

Sustainability: Evolve strives to design and reformulate products with a more positive environmental profile ensuring that we meet our present needs without compromising our future needs, simply because its the right thing to do.

Waste Reduction: 85% - 90% of the waste generated in our manufacturing facilities is recycled. Waste reduction plans are monitored on an on-going basis.

CLEANING AND MAINTENANCE

Green cleaners that are non-hazardous are preferred. In most cases, cleaning with a damp cloth of mild soap and water or white vinegar is sufficient for panel frames, fabrics, metal storage products and laminate surfaces. For further information on cleaning and maintenance, please refer to the installation manual.

NON-OBSOLESCENCE POLICY

Evolve's commitment is to continue to innovate and provide continuity to our product lines. Evolve will commit to a continued supply of product compatible with those purchased today for as long as the original customer owns the product or 25 years in the case of a corporate purchaser.

WARRANTY

Evolve warrants its products free from defects in material and workmanship for as long as the original customer owns the product or 25 years in the case of a corporate purchaser. For more information, please refer to the List Price Book or speak with your sales representative.





Evolve: recycle & reuse • sustainable • cradle to cradle • greenguard & scs certified



Earth Friendly

Evolve is continually committed to creating office solutions with environmental responsibility.

Life Cycle Management

Wherever possible, the entire Evolve panel system and the process to manufacture it were designed to save and protect the environment.

Greenguard and SCS Certified

Evolve exceeds standards for low emitting products for the indoor environment.

Sustainability

Evolve's environmental initiatives ensure the protection of precious resources for future generations.

Recycle & Reuse

From wood to polypropylene, Evolve utilizes waste through innovative design and technology.

Cradle to Cradle

The Evolve panel is comprised of up to **82% recycled content**, and is also 100% recyclable therefore eliminating the need to send any components to landfills.



**J L BUSINESS INTERIORS, INC. 515 Schoenhaar Drive, P.O. Box 303 West Bend, WI 53095
T 262.338.2221 / 866.338.2254 F 262.338.2269 WWW.JLBUSINESSINTERIORS.COM**

